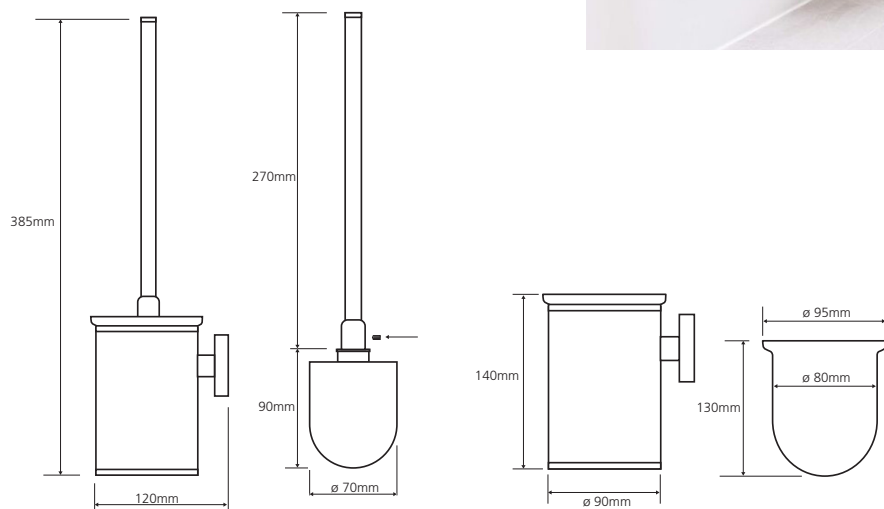


**PGP08135**



**FR** Spécifications techniques

## Porte-goupillon à fixer

### Caractéristiques

Matière : acier inoxydable et laiton

Finition : chrome

Patte de fixation, brosse noire

Dimensions : L120 x H385 x P120mm

### Fixation

Visserie et chevilles fournies



Tous coloris

**UK** Technical specifications

## Wall mounted toilet brush holder

### Features

Material: stainless steel and brass

Finish: chrome

Mounting bracket, black brush

Dimensions : W120 x H385 x D120mm

### Fixings

Screws and wallplugs included



Any colour